

SLIDING DOOR BUG SCREEN

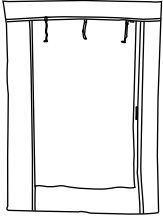
RAM PROMASTER



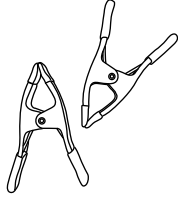
CAUTION

If you're not comfortable installing this product yourself, we recommend contacting a local van builder for assistance.

What's Included:



Sliding Door Bug Screen

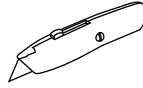


2x Spring Clamps



50x Small and
50x Large Metal Clips

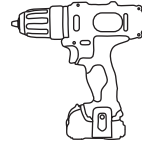
You Will Need:



A Sharp Blade



A Step Ladder



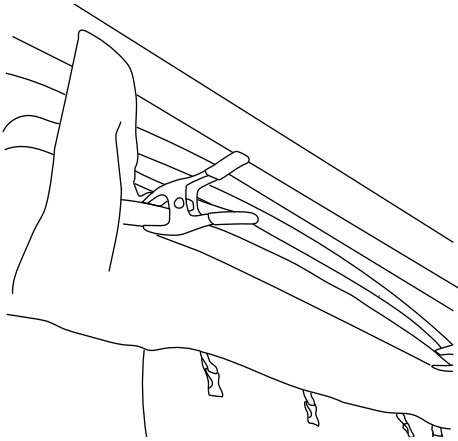
A Drill



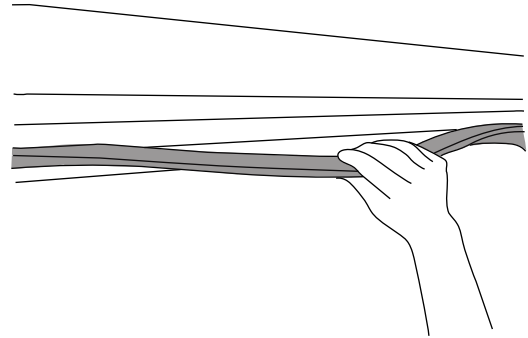
A Friend

Estimated Install Time: 60-90 Minutes

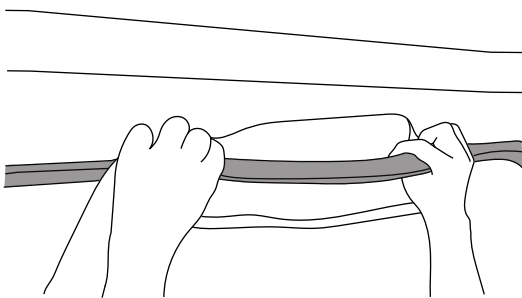
1. Open your sliding door and have a friend help you hold the screen up with the buckles and logo facing out towards you. Use included clamps to hold the screen in place in the top corners.



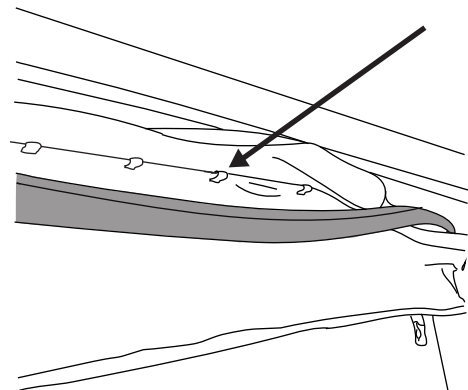
2. Starting at the top and in the middle, slowly pull the weather strip away from the door frame in a **small 12" section**. If there's grease underneath the weather strip, be sure to clean it off before proceeding.



3. Feed the bug screen fabric underneath the weather strip, and align the marked line on the bug screen with the center of the door frame. When aligned, the bottom of the bug screen should be hanging just below the floor of your van.

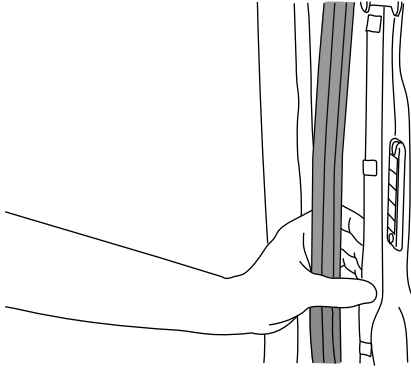


4. Secure the bug screen to the door by inserting the metal clips onto the frame. There are two sizes of clips to accommodate for different widths around the door frame. Use the size that fits the door frame best and creates the most tension. Wrap your hand around the weather strip and squeeze to close it up before reinstalling over the fabric and clip.

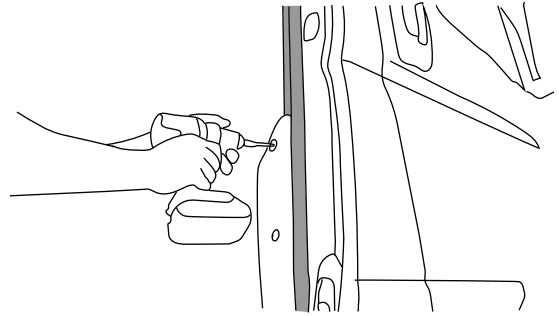


SLIDING DOOR BUG SCREEN

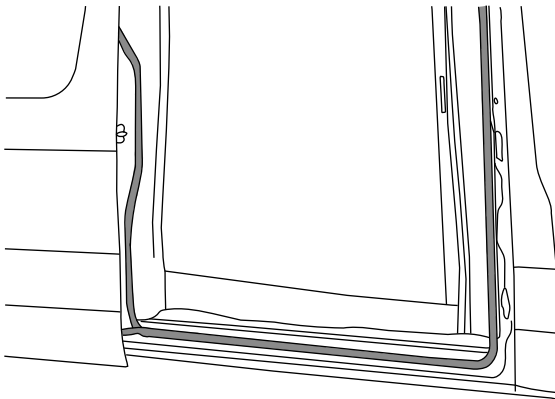
5. Working from the top to the sides and in **small 12" sections**, continue pulling the weather strip away, tucking the bug screen fabric underneath and inserting metal clips along the way. Use as many metal clips as possible for a secure fit. **NOTE: Leave a lot of slack as you're installing the bug screen (avoid the bug screen being taught) to prevent too much tension on the weather strip. The more slack you have, the better the magnetic closure will function.**



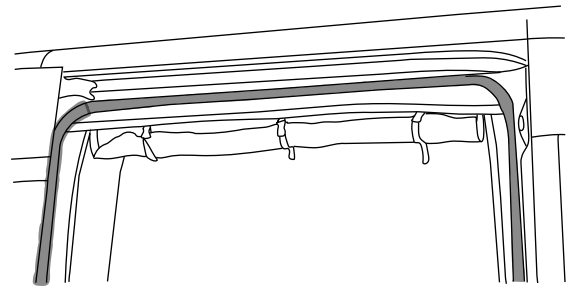
6. Use your drill to remove the B-Pillar plastic cover located on the right hand side of the door frame to access the weather strip. Once removed, continue the install process under the weather strip and reinstall the B-Pillar plastic cover.



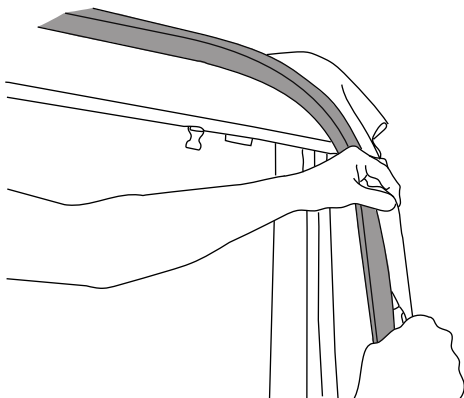
7. Note: The bottom of the bug screen does not get tucked under the weather strip and rests against the step.



8. Once your bug screen is installed, check that everything is operational. Roll up and secure your bug screen with the buckles and check that the door opens and closes. Make fit adjustments if needed.



9. Lastly, remove excess fabric with a sharp blade for a professional DIY fit.



10. Enjoy a pest-free van life!

